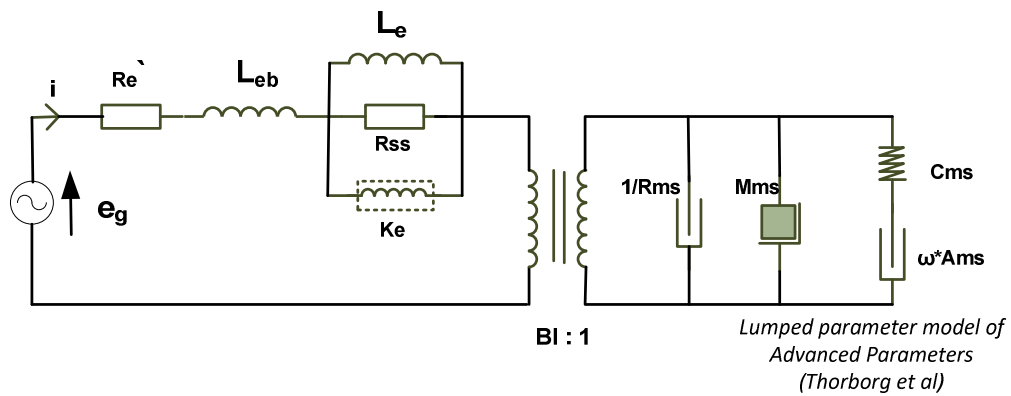


26W/4534G00



Electrical data

DC resistance ($R_{e'}$)	3.92	[Ω]
Free inductance (L_{eb})	0.107	[mH]
Bound inductance (L_e)	0.99	[mH]
Semi inductance (K_e)	0.109	SH
Shunt resistance (R_{ss})	265	[Ω]

Mechanical data

Force factor (BI)	8.27	[Tm]
Moving mass (M_{ms})	51.9	[g]
Compliance (C_{ms})	1.33	[mm/N]
Admittance (A_{ms})	0.14	[mm/N]
Mechanical resistance (R_{ms})	0.71	[Ns/m]