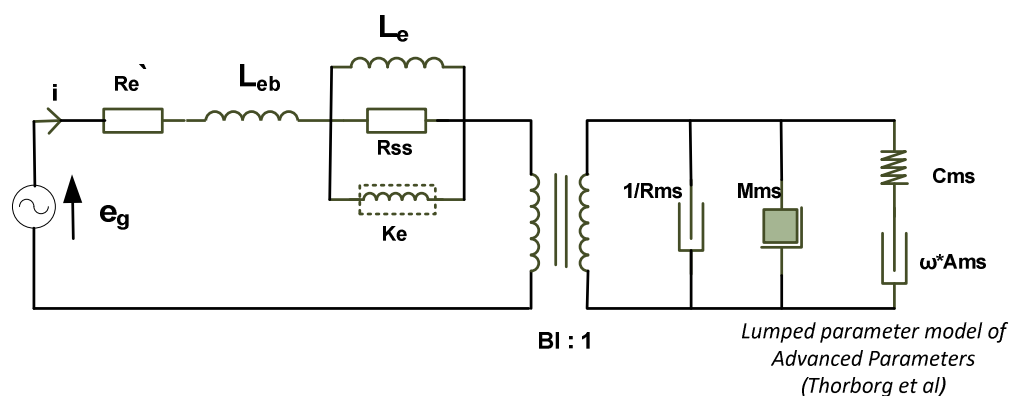


# 18WU/8747T00



**Electrical data**

DC resistance ( $R_{e'}$ )	5.81	[ $\Omega$ ]
Free inductance ( $L_{eb}$ )	0.074	[mH]
Bound inductance ( $L_e$ )	6.57	[mH]
Semi inductance ( $K_e$ )	0.113	SH
Shunt resistance ( $R_{ss}$ )	7	[ $\Omega$ ]

**Mechanical data**

Force factor (BI)	7.09	[Tm]
Moving mass ( $M_{ms}$ )	17.3	[g]
Compliance ( $C_{ms}$ )	0.81	[mm/N]
Admittance ( $A_{ms}$ )	0.14	[mm/N]
Mechanical resistance ( $R_{ms}$ )	1.00	[Ns/m]