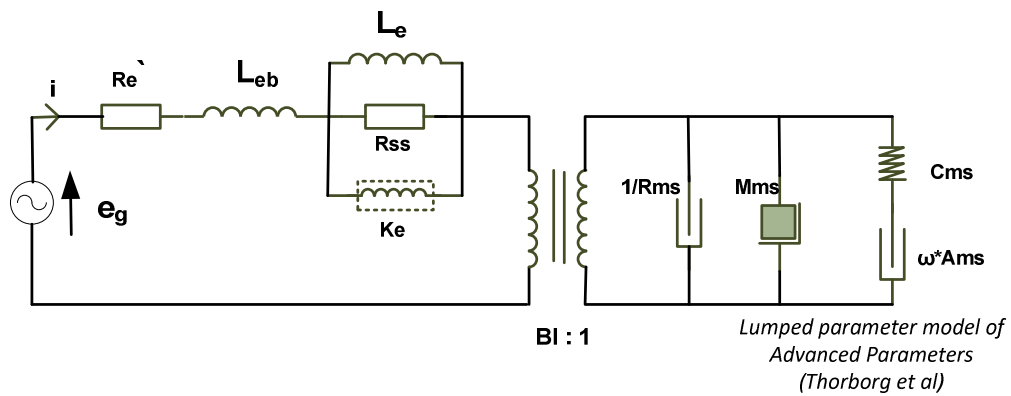


# 18W/8424G00



### Electrical data

DC resistance ( $R_{e'}$ )	5.75	[ $\Omega$ ]
Free inductance ( $L_{eb}$ )	0.065	[mH]
Bound inductance ( $L_e$ )	0.90	[mH]
Semi inductance ( $K_e$ )	0.089	SH
Shunt resistance ( $R_{ss}$ )	381	[ $\Omega$ ]

### Mechanical data

Force factor (BI)	6.27	[Tm]
Moving mass ( $M_{ms}$ )	12.3	[g]
Compliance ( $C_{ms}$ )	0.65	[mm/N]
Admittance ( $A_{ms}$ )	0.09	[mm/N]
Mechanical resistance ( $R_{ms}$ )	1.01	[Ns/m]