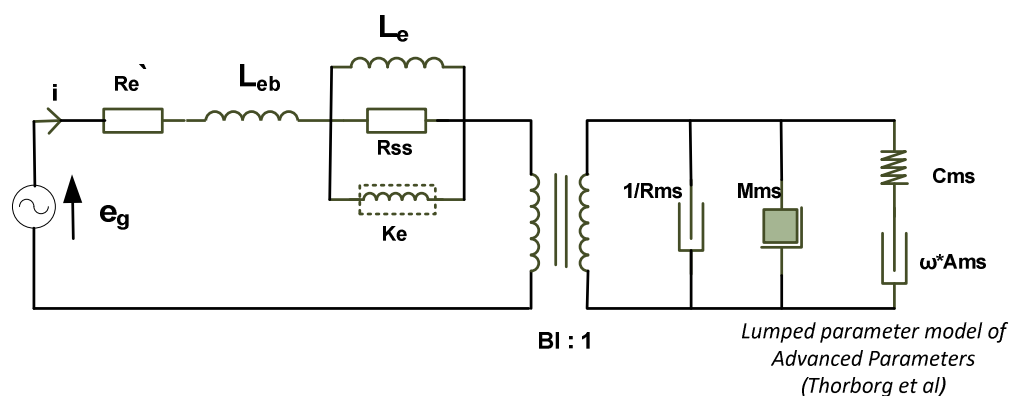


# 18W/4434G00



### Electrical data

DC resistance ( $R_e'$ )	3.14	[ $\Omega$ ]
Free inductance ( $L_{eb}$ )	0.101	[mH]
Bound inductance ( $L_e$ )	0.81	[mH]
Semi inductance ( $K_e$ )	0.032	SH
Shunt resistance ( $R_{ss}$ )	226	[ $\Omega$ ]

### Mechanical data

Force factor (BI)	5.40	[Tm]
Moving mass ( $M_{ms}$ )	14.5	[g]
Compliance ( $C_{ms}$ )	0.63	[mm/N]
Admittance ( $A_{ms}$ )	0.07	[mm/N]
Mechanical resistance ( $R_{ms}$ )	0.81	[Ns/m]