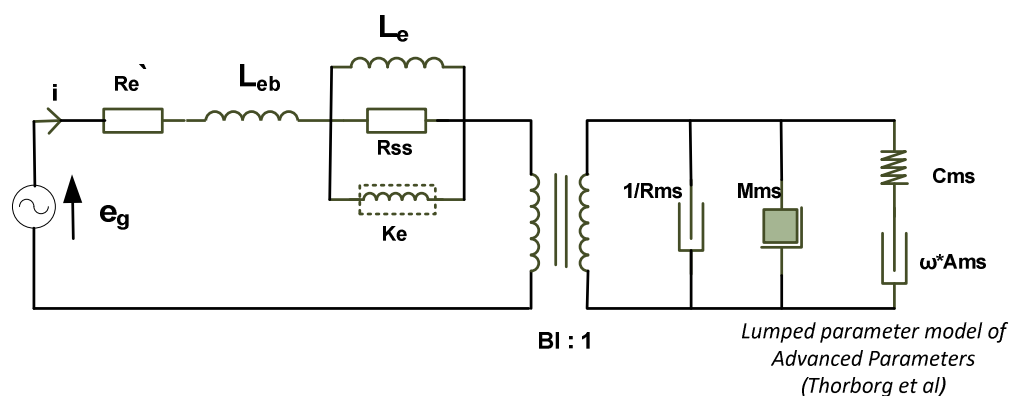


15WU/8741T00



Electrical data

DC resistance (R_e')	6.42	[Ω]
Free inductance (L_{eb})	0.080	[mH]
Bound inductance (L_e)	6.49	[mH]
Semi inductance (K_e)	0.130	SH
Shunt resistance (R_{ss})	8	[Ω]

Mechanical data

Force factor (BI)	7.39	[Tm]
Moving mass (M_{ms})	14.1	[g]
Compliance (C_{ms})	1.34	[mm/N]
Admittance (A_{ms})	0.23	[mm/N]
Mechanical resistance (R_{ms})	0.79	[Ns/m]