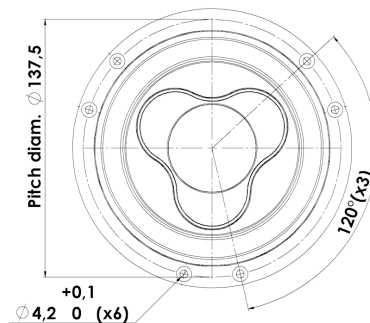
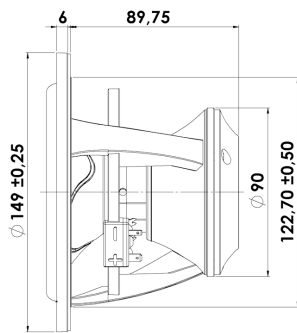


## 15 cm Midwoofer

## 15WU/4741T00



### T-S Parameters:

Resonance frequency [fs]	34 Hz
Mechanical Q factor [Qms]	3.47
Electrical Q factor [Qes]	0.25
Total Q factor [Qts]	0.23
Force factor [Bl]	6 Tm
Mechanical resistance [Rms]	0.80 kg/s
Moving mass [Mms]	13 g
Compliance [Cms]	1.69 mm/N
Effective diaph. diameter [D]	108 mm
Effective piston area [Sd]	92 cm <sup>2</sup>
Equivalent volume [Vas]	20.0 l
Sensitivity (2,83V/1m)	86 dB

### Mechanical Data:

Voice coil diameter	42 mm
Voice coil height	8 mm
Voice coil layers	4
Gap height	20 mm
Linear excursion	± 9 mm
Max mech. excursion	± 13 mm
Unit weight	1.7 kg
Cabinet Displacement Volume	0.35 l

### Electrical Data:

Nominal impedance [Zn]	4 Ω
Minimum impedance [Zmin]	4.6 Ω
Maximum impedance [Zo]	47.6 Ω
DC resistance [Re]	3.2 Ω
Voice coil inductance [Le]	0.5 mH

### Power Handling:

100h RMS noise test (IEC 18.4)	80 W
Long-term max power (IEC 18.2)	150 W
X-over:	None

### Key Features:

- Under-Hung Neodymium Motor Design
- Patented Symmetrical Drive (SD-3)
- Patented Sandwich Paper Cone
- Exceptionally Long Linear Excursion
- Low-loss linear suspension
- Patented Design

### Recommendations (please see Tech Note):

- Operating frequency range: fs-5000 Hz
- Cabinet volume - closed box: N.a.
- Cabinet volume - vented box: Vbox=4.5 ltr, fb=55 Hz, f(-3dB)=65 Hz

